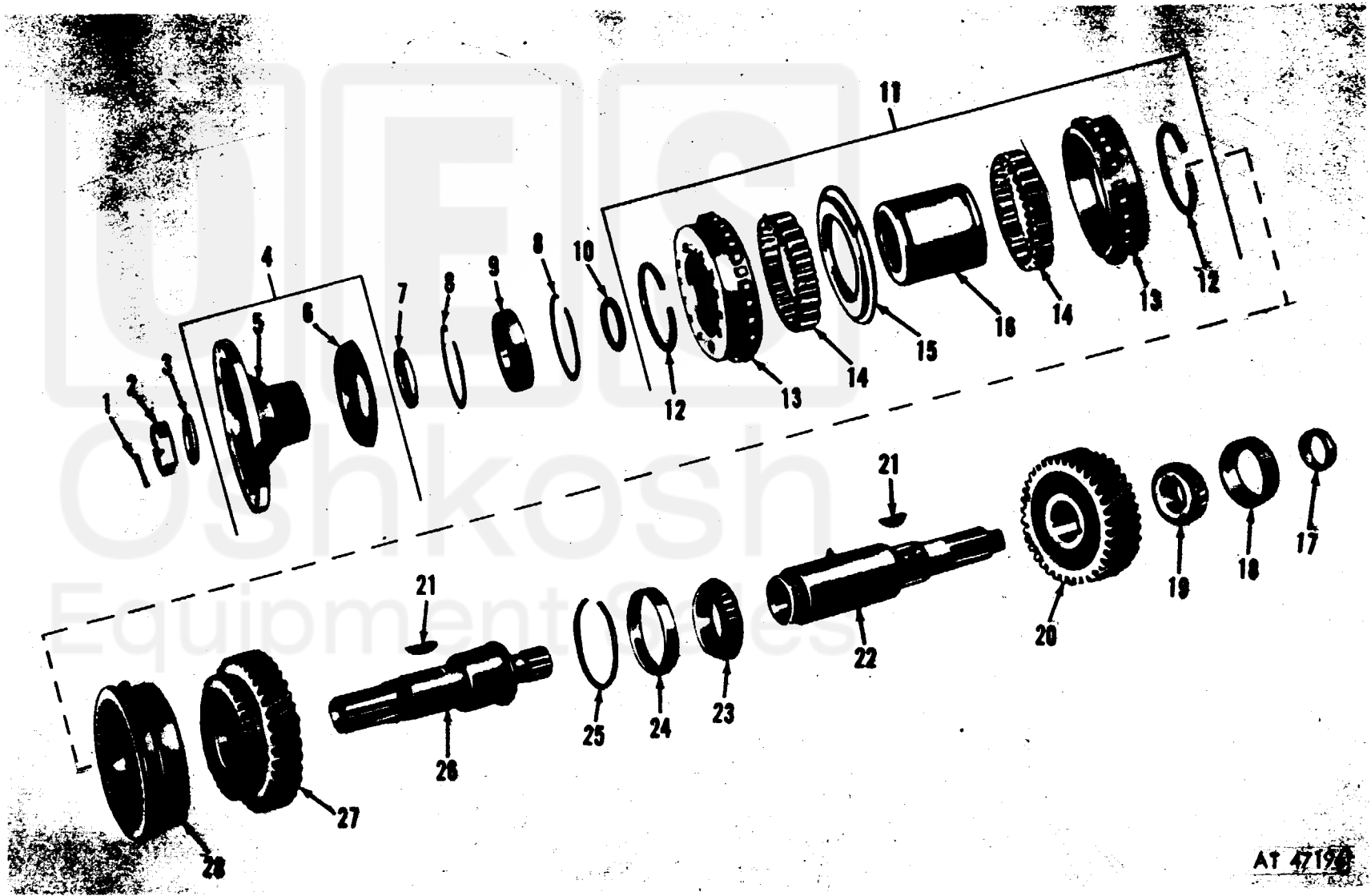


(1) SMR Code	(2) Federal Stock Number	(3) DESCRIPTION	(4) UNIT	(5) Qty	(6) 30-day DS maint	(7) 30-day GS maint	(8) 1-yr	(9) Depot	(10) Illustration	of inc. allowance in Unit	allowance	alw	maint	per 100 equip	(a) Figure No.	(b) Item No.
Reference Number & Mfr. Code			Usable On Code			(a) 1-20	(b) 21-50	(c) 51-100	(a) 1-20	(b) 21-50	(c) 51-100					
0801-POWER TRANSFER AND FINAL DRIVE ASSEMBLIES-CONTINUED																
P-F	2520-301-7741	SHAFT: REAR AXLE 8332554 (19207)	A	EA	1	*	*	*	*	*	*	8	10	56	22	
P-F	3110-143-7524	CONE AND ROLLERS, TAPERED: 7376091 (19207)	A	EA	1	*	*	*	*	*	*	8	10	56	23	
P-F	3110-100-0960	CUP, TAPERED ROLLER BEARING: 712179 (21450)	A	EA	1	*	*	*	*	*	*	8	10	56	24	
P-F	5340-737-5287	RING, RETAINING: FRONT BEARING 7375287 (19207)	A	EA	1	*	*	*	*	*	*	6	10	56	25	
P-F	2520-734-6771	SHAFT, TRANSFER CASE: FRONT AXLE 7346771 (19207)	A	EA	1	*	*	*	*	*	*	8	10	56	26	
P-F	2520-734-6764	GEAR, HELICAL: OUTPUT SHAFT 7346764 (19207)	A	EA	1	*	*	*	*	*	*	8	10	56	27	
P-F	2520-734-6769	COLLAR, SHIFTER: SPRAG 7346769 (19207)	A	EA	1	*	*	*	*	*	*	8	10	56	28	
0802-CLUTCH AND CLUTCH CONTROLS																
P-O	4730-069-1187	ELBOW, ASSEMBLY, PIPE TO TUBE: MS39182-3 (96906)	A	EA	2	*	*	*	*	*	*	4	10	57	1	
P-O	5340-365-7338	ELBOW: COUPLING NUT 504256 (82722)	A	EA	2	*	*	*	*	*	*	4	10	57	2	
P-O	4730-293-7108	SLEEVE, COMPRESSION: ELBOW TO COUPLING NUT MS39197-3 (96906)	A	EA	5	*	*	*	*	*	*	4	10	57	3	
P-O	4730-278-8825	NUT, TUBE COUPLING: AIR LINE CONNECTOR MS39196-3 (96906)	A	EA	5	*	*	*	*	*	*	4	10	57	4	
P-O	2520-040-2304	LINE: ELBOW ASSEMBLY TO AIR LINE CONNECTOR 8330259 (19207)	A	EA	1	*	*	*	*	*	*	6	10	57	5	
P-O	5340-896-1094	CLAMP, LOOP: AIR LINE TO TRANSFER 573036 (21450)	A	EA	3	*	*	*	*	*	*	6	10	57	6	
P-O	4730-277-5684	ELBOW, PIPE: HOSE ASSEMBLY TO LINE 121619 (21450)	A	EA	1	*	*	*	*	*	*	4	10	57	7	
P-O	2520-832-7000	HOSE ASSEMBLY, RUBBER: FLEXIBLE AIR TRANSMISSION VALVE 8327000 (19207)	A	EA	1	*	*	*	*	*	*	8	10	57	8	
P-O	4730-540-2576	ELBOW, ASSEMBLY, PIPE TO TUBE: RUBBER HOSE ASSEMBLY 504365 (24617)	A	EA	1	*	*	*	*	*	*	4	10	57	9	
P-O	4730-278-3832	ELBOW: RUBBER HOSE TO COUPLING NUT MS39184-3 (96906)	A	EA	1	*	*	*	*	*	*	4	10	57	10	



AT 47196

Figure 56. Transfer output shafts and related parts.